



TG-UH/PT...

Outdoor sensors

Temperature sensors with PT100- or PT1000-element intended for measuring outdoor temperature or for use in areas where a high protection class is required.

- Bayonet mounted cover
- Tight casing, IP65

- M16 cable gland
- Compact and modern design

Outdoor sensors in the Tempero-series with a modern design that fits into any environment. TG-UH/PT100 and TG-UH/PT1000 are intended for wall mounting, outdoor mounting, or mounting in areas where a high protection class is required.

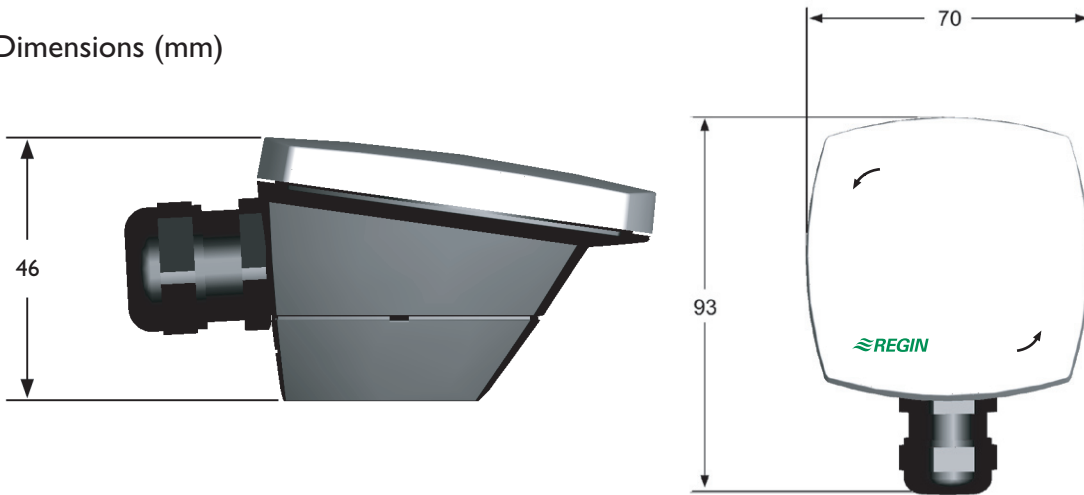
Models

TG-UH/PT100	Outdoor sensor for temperature measurement, PT100-element
TG-UH/PT1000	Outdoor sensor for temperature measurement, PT1000-element

Technical data

Temperature range	-30...+70°C
Sensor element	PT100/PT1000, DIN class B
Cable connection	M16 cable gland
Protection class	IP65

Dimensions (mm)



Head Office Sweden
Phone: +46 31 720 02 00
Web: www.regin.se
Mail: info@regin.se

Sales Offices
France: +33 14 171 46 46
Hong Kong: +852 24 07 02 81
Singapore: +65 67 47 82 33
Germany: +49 30 77 99 40

 **REGIN**

THE CHALLENGER IN BUILDING AUTOMATION